

SCOPE: THIS STANDARD SHOWS THE INSTALLATION AND MATERIAL REQUIREMENTS FOR A 3312 HANDHOLE.

CONCRETE PARKWAY COVER

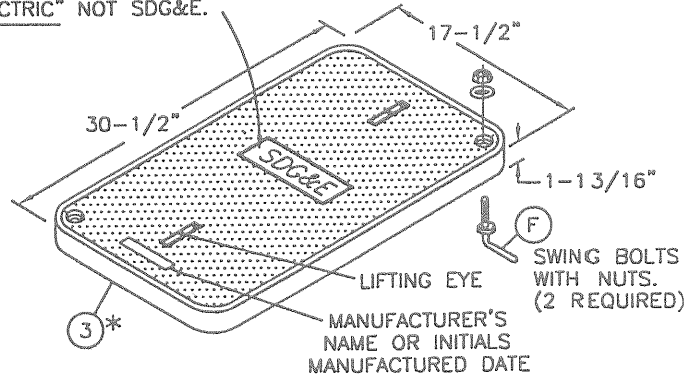
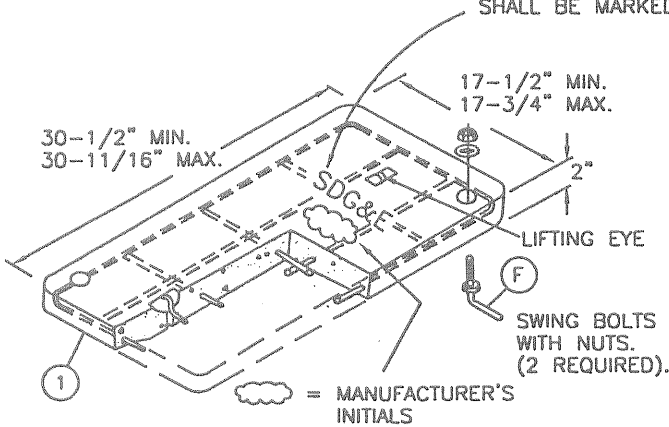
WEIGHT: 110# MAX.
 ** PEDESTRIAN LOADING

3312 HANDHOLE

* **POLYMER PARKWAY COVER**
 WEIGHT: 64# MAX.
 ** PEDESTRIAN LOADING

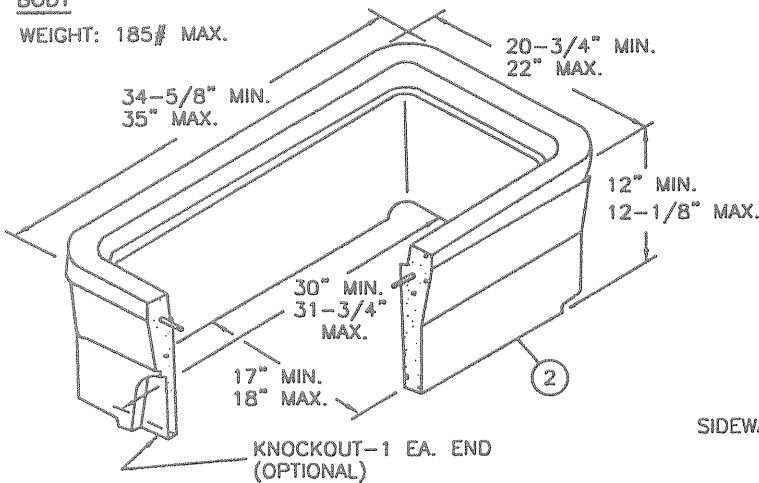
"ELECTRIC"

IF THE CUSTOMER IS REQUIRED TO INSTALL A HANDHOLE IN A SERVICE LATERAL, THE LID SHALL BE MARKED "ELECTRIC" NOT SDG&E.

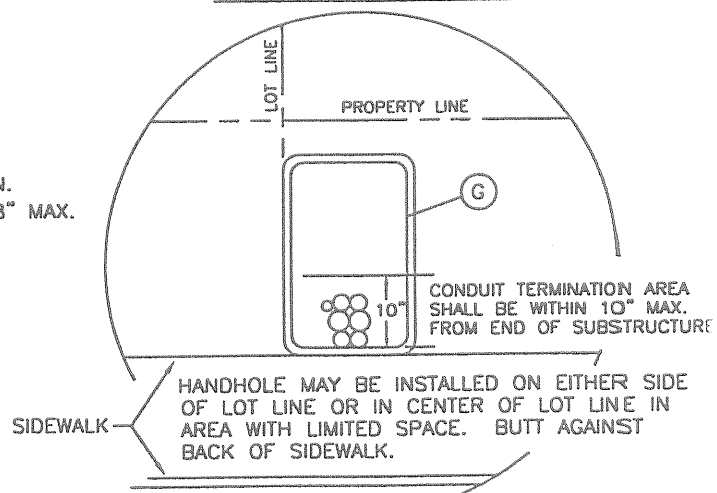


BODY

WEIGHT: 185# MAX.



TYPICAL PLAN VIEW



NOTES:

- * THE POLYMER COVER IS ONLY TO BE INSTALLED WHEN REQUESTED AND PAID FOR BY THE CUSTOMER.
- ** USE THE 3313 HANDHOLE AND STEEL TRAFFIC COVER FOR TRAFFIC INSTALLATIONS.

BILL OF MATERIAL FOR SINGLE-BODY HANDHOLE:

ITEM	DESCRIPTION	QUANTITY	STOCK NUMBER	STOCK NUMBER	ASSEMBLY UNITS
1	COVER, PARKWAY (CONCRETE)	1	286808	COMPLETE HANDHOLE 162676	3312C0 COMPLETE HANDHOLE 3312-1
2	BODY, HANDHOLE	1	162426		3312-0
3*	COVER, PARKWAY (POLYMER)	1	286818	-	3312CP -

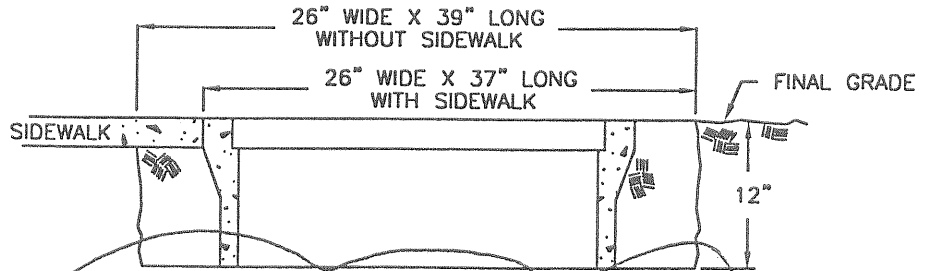
BILL OF MATERIAL FOR DOUBLE-BODY HANDHOLE:

ITEM	DESCRIPTION	QUANTITY	STOCK NUMBER	STOCK NUMBER	ASSEMBLY UNITS
1	COVER, PARKWAY (CONCRETE)	1	286808	COMPLETE DOUBLE-BODY HANDHOLE 162678	3312C0 COMPLETE HANDHOLE 3312-2
2	BODY, HANDHOLE	2	162426		3312-0
3*	COVER, PARKWAY (POLYMER)	1	286818	-	3312CP -

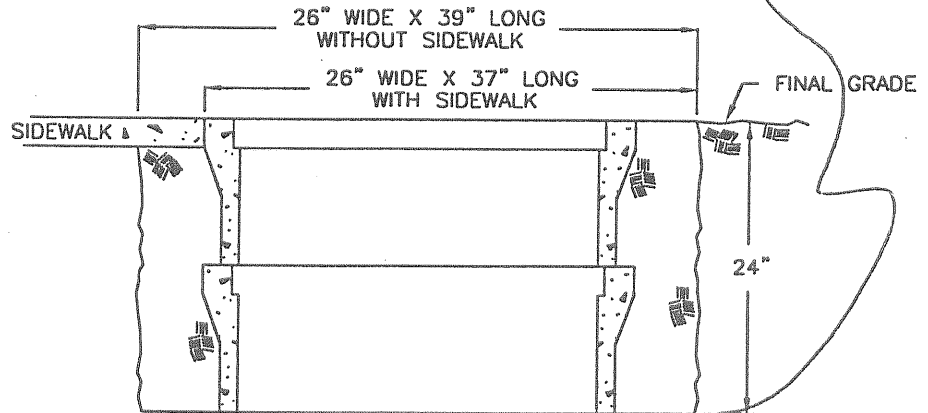
SERVICE GUIDE	Indicates Latest Revision	Completely Revised	New Page	Information Removed
ISSUE 1998/99	SDG&E ELECTRIC STANDARDS			
DATE 1-1-96	HANDHOLE			
APPD <i>[Signature]</i>	(INSIDE DIMENSIONS - 17" X 30")			
	3312.1			

EXCAVATION DIMENSIONS

SINGLE HANDHOLE
INSTALLATION



DOUBLE HANDHOLE
INSTALLATION



INSTALLATION:

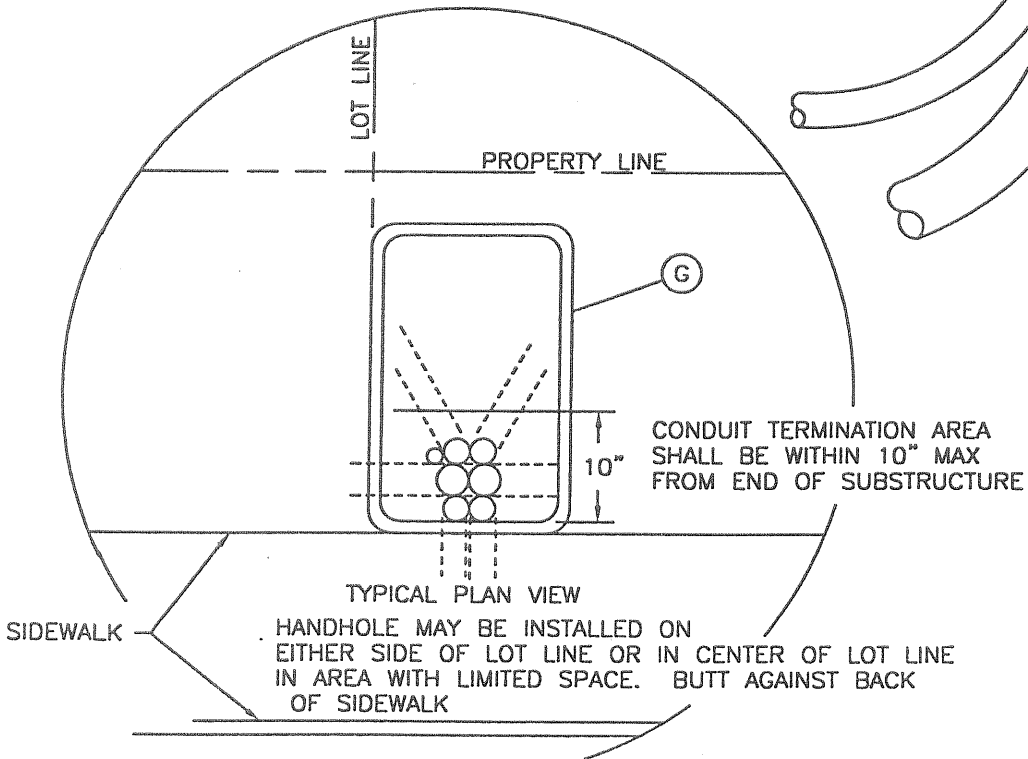
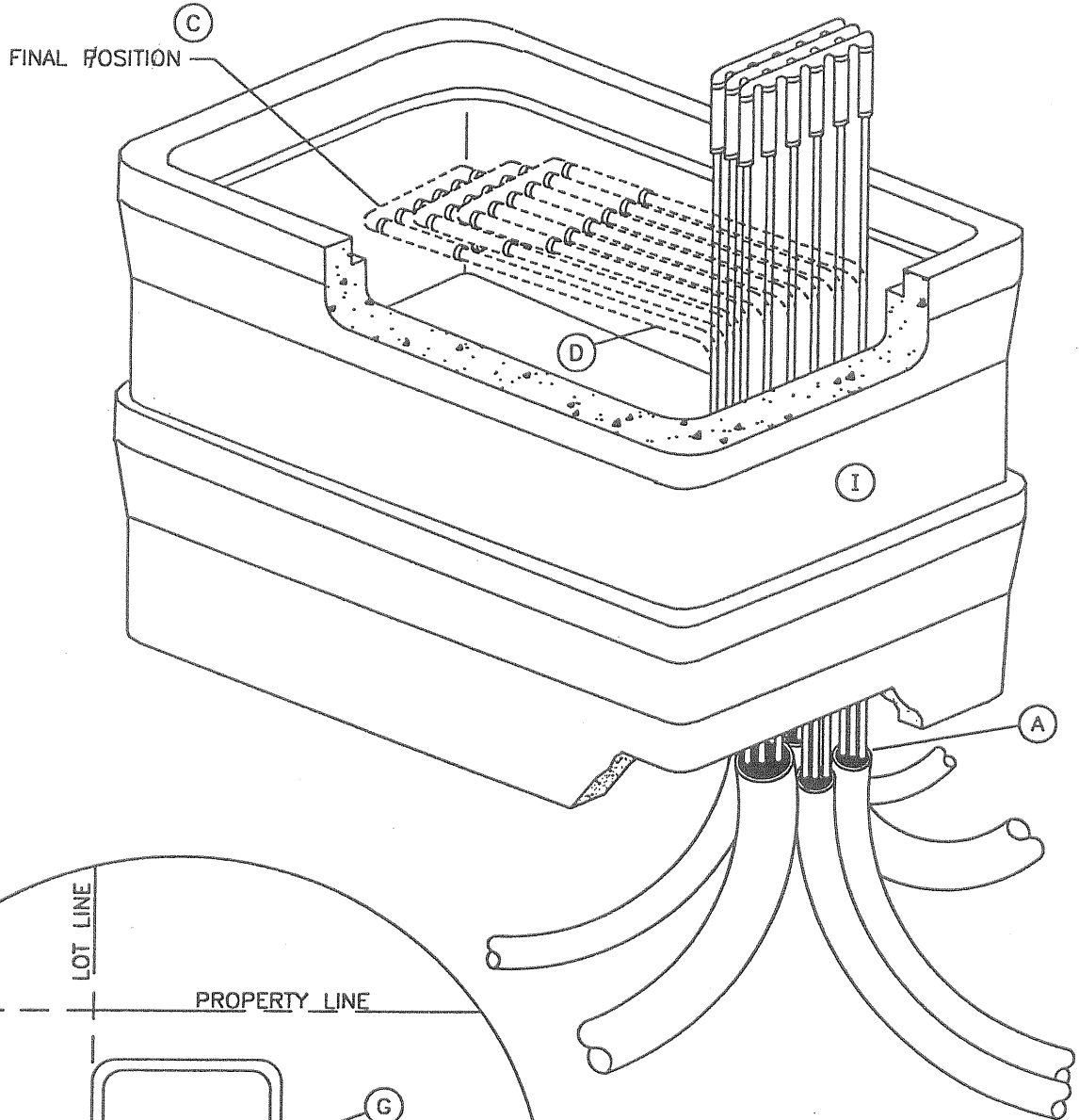
- A. ESTABLISH THE HANDHOLE LOCATION PAYING PARTICULAR ATTENTION TO GAS AND FOREIGN UTILITY PLACEMENTS. ANY CHANGE IN LOCATION BY DISTRICT CONSTRUCTION REQUIRES PRIOR APPROVAL FROM SERVICE PLANNING.
- B. AFTER THE LOCATION IS ESTABLISHED, MARK OUT DIMENSIONS FOR THE EXCAVATION WIDTH, LENGTH AND DEPTH PER DRAWING ABOVE. THE WIDTH AND LENGTH DIMENSIONS GIVEN ALLOW EXTRA SPACE FOR SETTING THE SUBSTRUCTURE AND TAMPING THE BACKFILL.
- C. TO DETERMINE FINAL GRADE, MEASURE FROM THE TOP OF CURB OR ESTABLISHED GRADE.
- D. EXCAVATION IS NOW PREPARED FOR INSTALLATION OF SUBSTRUCTURE SECTIONS. AFTER GRADE LEVEL IS ESTABLISHED, SET A STRING LINE FOR CHECKING GRADE. SET HANDHOLE AT FINAL GRADE.
- F. APPLY SILICONE GREASE (STOCK NUMBER 391424), TO THE BOLTS WHEN SECURING THE COVER TO REDUCE REMOVAL AND INSTALLATION DIFFICULTIES.
- G. IF RIGHT OF WAY OR OBSTRUCTIONS CAUSE A PROBLEM, THE HANDHOLE MAY BE TURNED TO WHERE THE LONG SIDE OF THE HANDHOLE PARALLELS THE SIDEWALK OR PROPERTY LINE.

REFERENCE:

- H. SEE STANDARD 3302 FOR SUBSTRUCTURE APPLICATIONS.
- I. SEE STANDARD 3483 FOR MINIMUM OPERATING CLEARANCE REQUIREMENTS.
- J. SEE STANDARD 3485 WHEN SETTING HANDHOLE ON A SLOPING GRADE.
- K. SEE STANDARD 3486 FOR RETAINING WALL REQUIREMENTS AND CLEARANCES FROM REVERSE SUBGRADE RETAINING WALLS.
- L. SEE STANDARD 3605 FOR SUBSTRUCTURE USE AND LIMITATIONS REFERENCE SHEET (MAXIMUM NUMBER OF CABLES, CONNECTORS AND CONDUITS).
- M. SEE STANDARD 4173 FOR TRENCH DEPTH, CONDUIT AND CABLE INSTALLATION.

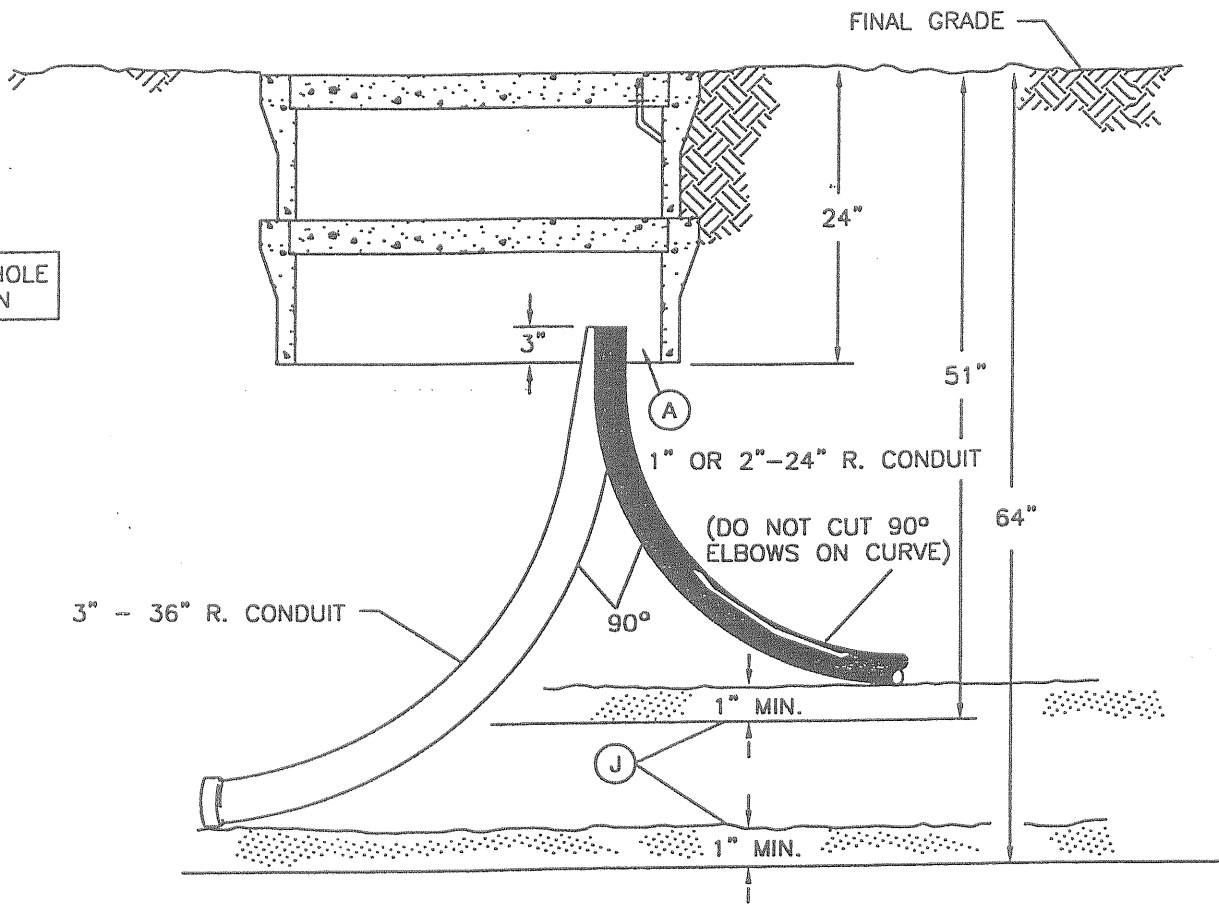
SERVICE GUIDE	Indicates Latest Revision	Completely Revised	New Page	Information Removed
3312.2	SDG&E ELECTRIC STANDARDS			ISSUE 1998/99
	HANDHOLE (INSIDE DIMENSIONS - 17" X 30")			DATE 1-1-91 APPD <i>JLB/ROJ</i>

**HANDHOLE
INSTALLATION**

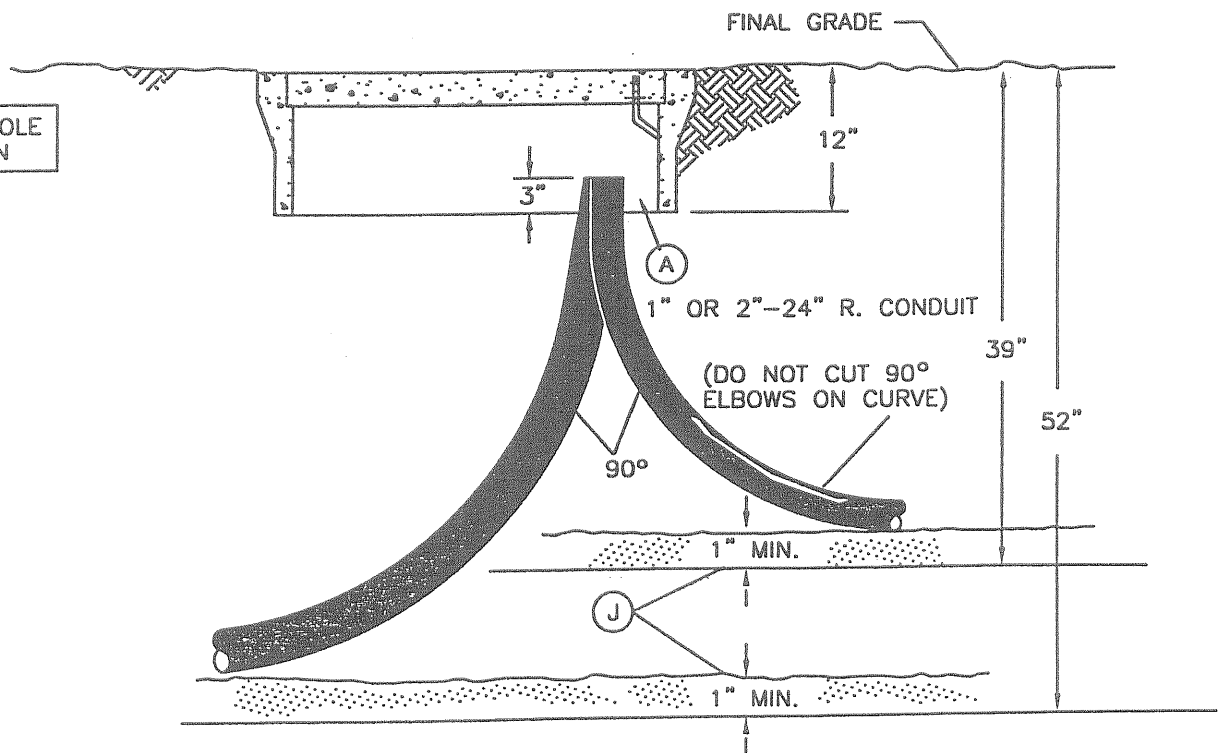


SERVICE GUIDE	Indicates Latest Revision	Completely Revised	New Page	Information Removed
4173.3	SDG&E ELECTRIC STANDARDS			ISSUE 1998/99
	0-600 VOLT CONNECTORS AND HANDHOLE INSTALLATION FOR #8 THROUGH 350 KCMIL CONDUCTORS			DATE 1-1-92 APPD <i>JLB/BDG</i>

DOUBLE HANDHOLE INSTALLATION



SINGLE HANDHOLE INSTALLATION



SERVICE GUIDE	Indicates Latest Revision	Completely Revised	New Page	Information Removed
ISSUE 1998/99	SDG&E ELECTRIC STANDARDS			4173.4
DATE 1-1-96	0-600 VOLT CONNECTIONS AND HANDHOLE INSTALLATION			
APPD <i>[Signature]</i>	FOR #8 THROUGH 350 KCMIL CONDUCTORS			